

## Product Detail



<b>Product Line:</b>	<a href="#">Johnson</a> (Click for customer service)
<b>Part Number:</b>	105-1042-001
<b>Description:</b>	Tip Jack - Insulated Standard: Rib-Loc Type
<b>Product Family:</b>	TIP JACK
<b>Body Material:</b>	Nylon 6/6 per ASTM D4066
<b>Breakdown Voltage:</b>	3500 Vrms min.
<b>Color / Finish:</b>	Red
<b>Contact Material:</b>	Beryllium copper over brass
<b>Contact Finish:</b>	Silver
<b>Contact Termination:</b>	Solder
<b>Current:</b>	5 amps
<b>Desc 2:</b>	Rib-Loc
<b>Description:</b>	Insulated Standard
<b>For Use With:</b>	.080 (2.00) Tip Plug
<b>Panel Thickness:</b>	Up to .375 (9.05)
<b>RoHS Compliant:</b>	Yes

20070523-1523

# Tip Jacks

## Insulated Standard: Rib-Loc® Type

### SPECIFICATIONS

**Contact:** Brass body per QQ-B-626D with wrap around beryllium copper spring per QQ-C-553

**Finish:** Silver

**Body:** Nylon 6/6 per ASTM D4066

**Panel Thickness:** Up to .375 (9.05)

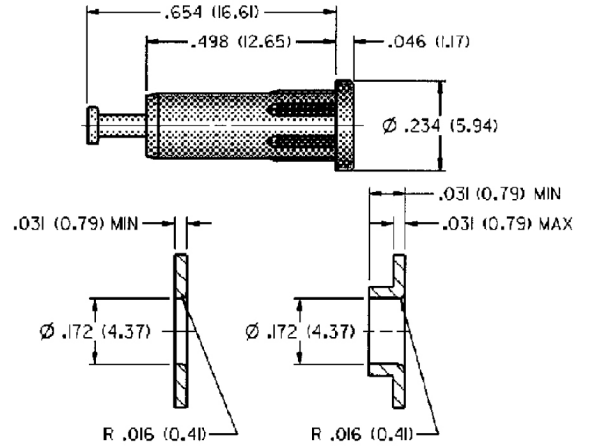
### RATINGS

**Current:** 5 amps

**Breakdown Voltage:** 3500 Vrms minimum †

**Contact Resistance:** 0.005 ohms maximum

**Adjacent Jack C:** 1 pF nominal



MOUNTING HOLE OPTIONS

SILVER PLATING	
105-1042-001	Red

**For Standard Tip Plug: .080 (2.00) Diameter**

### FEATURES:

- Machined contact with turret terminal
- Installs by pressing into mounting hole, no mounting hardware required
- Closed entry blocks access or probes greater than .085 (2.16)
- Nylon UL approved for self extinguishing